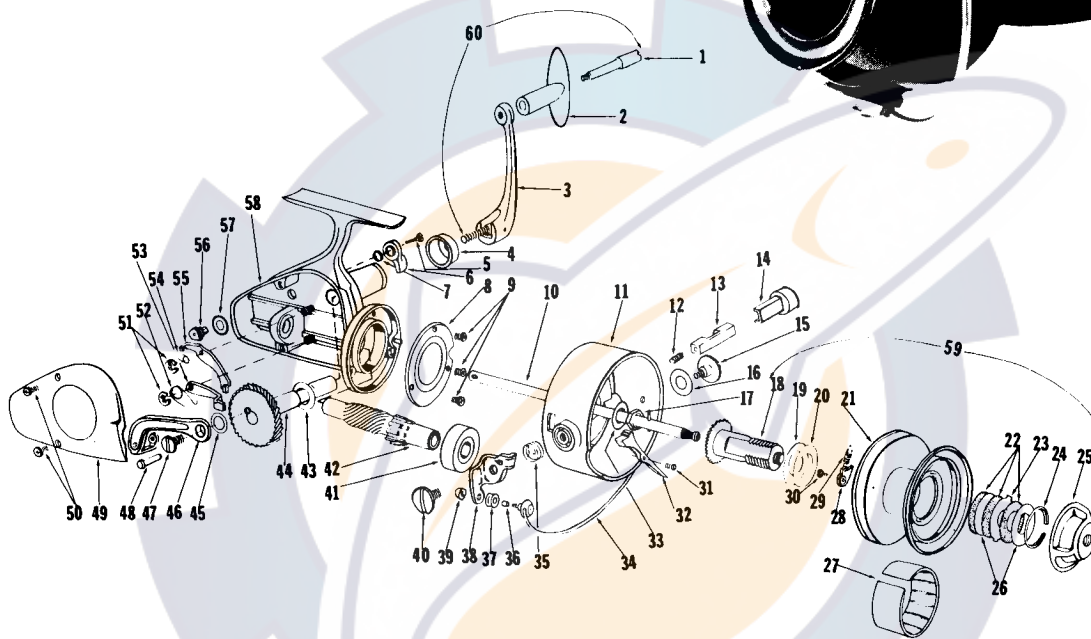
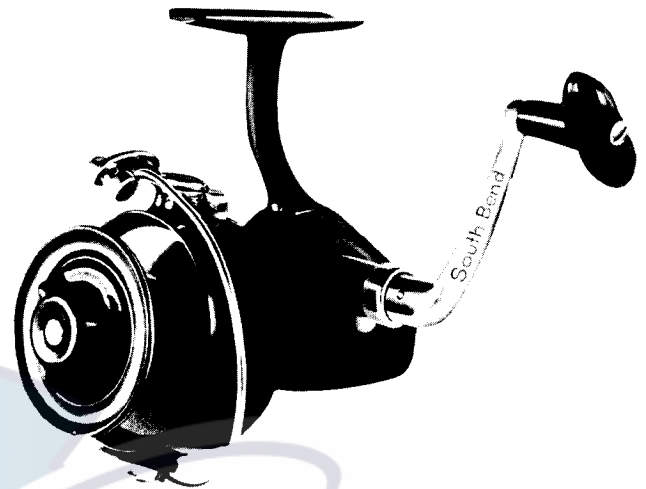




GLADDING
South Bend Tackle Co., Inc.
 Division of **GLADDING** Corporation

925
 3-220-925
SPINNING REEL



Detail No.	Part Name	Part No.	Price	Detail No.	Part Name	Part No.	Price
1	Crank Handle Pin	SP1	.60	33	Pick-up housing lock washer	SP98	.10
2	Crank Handle	SP4	.55	34	Pick-up bail — with roller bearing & trip bracket	SPA2	2.25
3	Crank Arm	SP7	1.35	35	Bail bracket spring	SPA6	.25
4	Crank Arm Cover	SP11	.70	36	Line roller sleeve	SPA9	.55
5	Non Reverse lever screw	SP15	.10	37	Line roller	SPA11	.70
6	Non reverse lever	SP16	.20	38	Trip bracket	SPA13	.75
7	Non reverse bushing	SP17	.20	39	Roller lock nut	SPA17	.30
8	Ball bearing retaining Plate	SP18	.20	40	Bail bracket screw	SPA18	.65
9	Ball bearing plate screws	SP21	3@.20	41	Ball bearing	SPA21	1.00
10	Main shaft assembly	SP22	1.40	42	Pinion gear	SPA24	4.25
11	Pick-up housing	SP26	3.25	43	Drive gear washer	SPA27	.10
12	Plunger spring	SP30	.10	44	Drive gear	SPA30	2.45
13	Plunger	SP31	.30	45	Washer	SPA34	.10
14	Plunger sleeve	SP35	.30	46	Level wind lever for 935 & 960 bracket attached	SPA38	.65
15	Trip bracket screw	SP39	.65	47	Level wind/lever screw	SPA42	.30
16	Trip bracket washer	SP42	.20	48	Level wind pin	SPA46	.10
17	Pick-up housing nut	SP45	.16	49	Cover plate	SPA49	1.15
18	Spool Shaft	SP48	1.25	50	Cover plate screws	SPA53	2@.15
19	Spool washer (thick)	SP52	.10	51	Snap rings	SPA54	2@.10
20	Spool washer (thin)	SP55	.10	52	Non reverse pawl spring	SPA55	.10
21	Spool	SP58	2.80	53	Non reverse pawl	SPA58	.20
22	Drag washers	SP62	3@.30	54	Non reverse cam spring	SPA61	.10
23	Drag eared washer	SP65	.15	55	Non reverse arm	SPA64	.20
24	Retaining ring	SP68	.10	56	Non reverse cam	SPA67	.20
25	Drag button	SP71	1.15	57	Non reverse washer	SPA70	.20
26	Drag keyed washer	SP74	2@.25	58	Frame	SPA72	3.85
27	Spool arbor	SP77	.30	59	Spool — complete with internal parts	SPA76	6.00
28	Click pawl	SP81	.20	60	Crank handle assembly	SPA80	3.25
29	Click spring	SP85	.10				
30	Click pawl screw	SP89	.20				
31	Bail stop screw	SP90	.10				
32	Bail stop	SP94	.35				